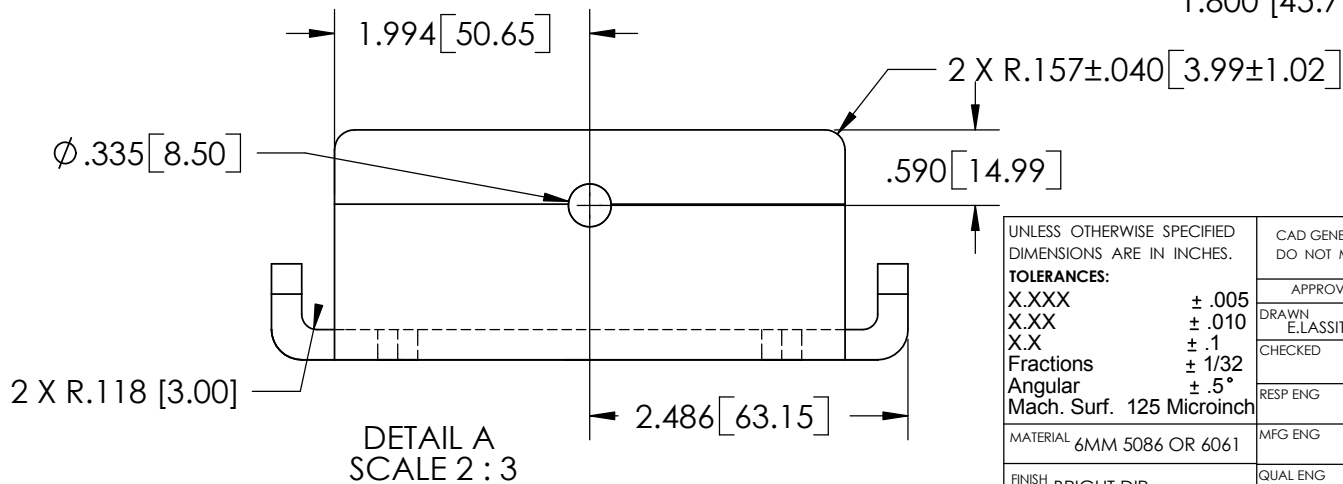
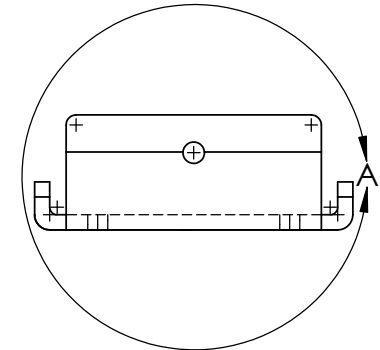
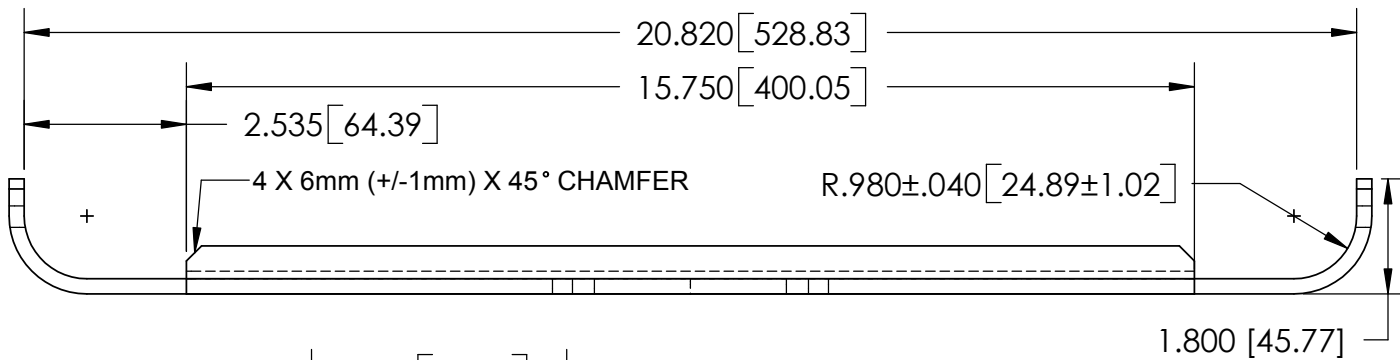
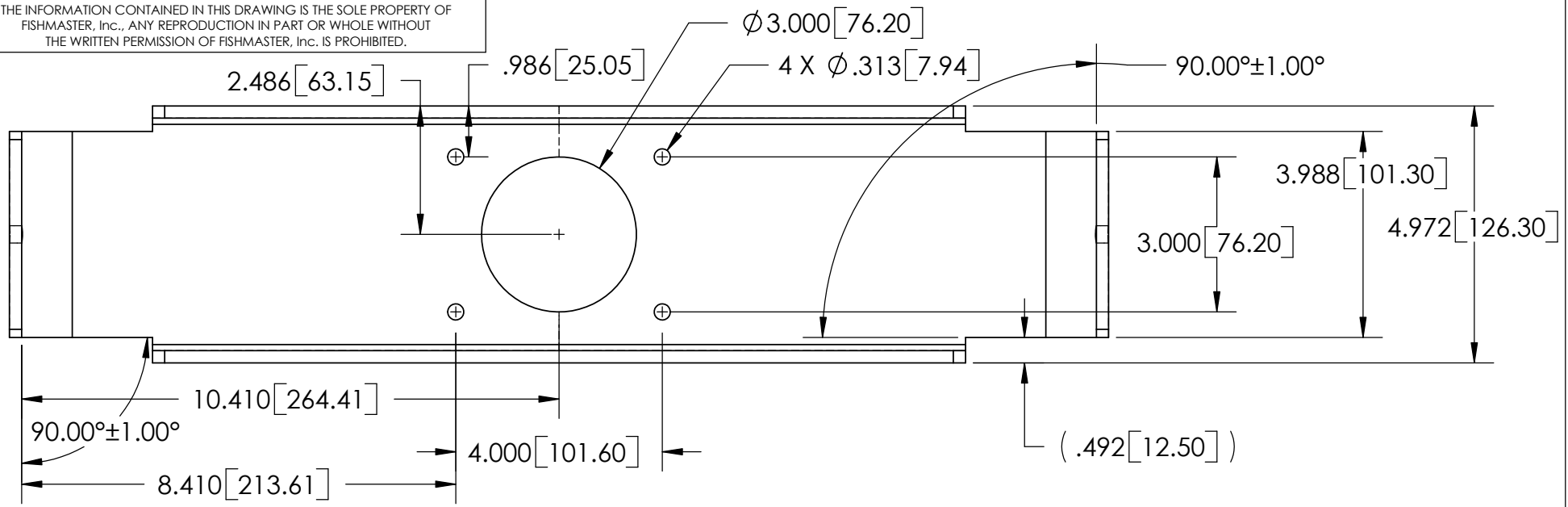


THE INFORMATION CONTAINED IN THIS DRAWING IS THE SOLE PROPERTY OF FISHMASTER, Inc.. ANY REPRODUCTION IN PART OR WHOLE WITHOUT THE WRITTEN PERMISSION OF FISHMASTER, Inc. IS PROHIBITED.



NOTES:
PACKAGING, POLY WRAP

UNLESS OTHERWISE SPECIFIED DIMENSIONS ARE IN INCHES.

TOLERANCES:
X.XXX ± .005
X.XX ± .010
X.X ± .1
Fractions ± 1/32
Angular ± .5°
Mach. Surf. 125 Microinch

CAD GENERATED DRAWING, DO NOT MANUALLY UPDATE

APPROVALS DATE

DRAWN E.LASSITER 2/5/08

CHECKED

RESP ENG

MFG ENG

QUAL ENG

MATERIAL 6MM 5086 OR 6061

FINISH BRIGHT DIP

Fishmaster, Inc.

5025 Wallace Drive
Cumming, GA 30041
tel#: 678-679-1462
fax#: 678-679-1508

OUTRIGGER BASE BRACKET

SIZE A	DWG. NO. OUTRIGGER BASE BRACKET.SLDRW	REV. -
SCALE	CAD FILE:	SHEET OF