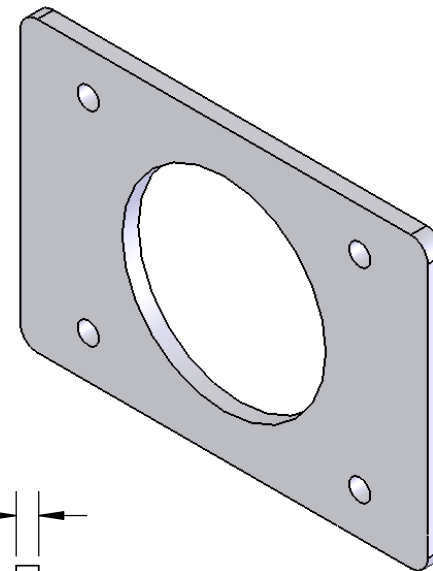
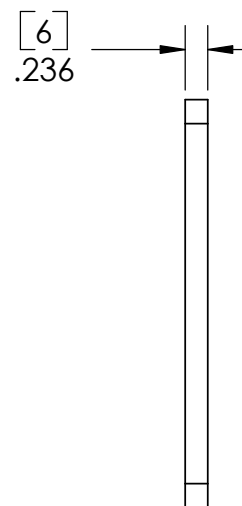
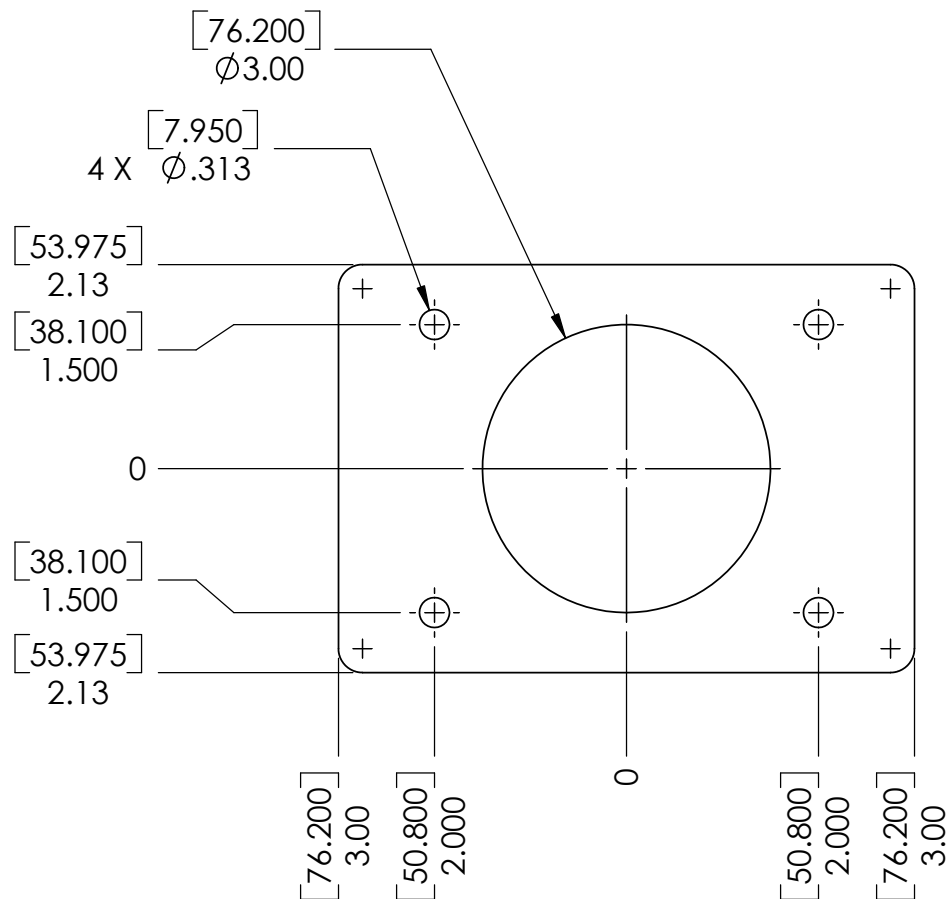


THE INFORMATION CONTAINED IN THIS DRAWING IS THE SOLE PROPERTY OF FISHMASTER, Inc.. ANY REPRODUCTION IN PART OR WHOLE WITHOUT THE WRITTEN PERMISSION OF FISHMASTER, Inc. IS PROHIBITED.



UNLESS OTHERWISE SPECIFIED
DIMENSIONS ARE IN INCHES.

TOLERANCES:
 X.XXX ± .005
 X.XX ± .010
 X.X ± .1
 Fractions ± 1/32
 Angular ± .5°
 Mach. Surf. 125 Microinch

CAD GENERATED DRAWING,
DO NOT MANUALLY UPDATE

APPROVALS		DATE
DRAWN	E.LASSITER	2/25/08
CHECKED		
RESP ENG		
MFG ENG		
QUAL ENG		

Fishmaster, Inc.

5025 Wallace Drive
 Cumming, GA 30041
 tel#: 678-679-1462
 fax#: 678-679-1508

OUTRIGGER BACKING PLATE

MATERIAL 6061 OR 6063 T6 ALUMINUM
 FINISH BRIGHT DIP ANODIZE

SIZE A	DWG. NO. OUTRIGGER BACKING PLATE	REV.
SCALE	CAD FILE:	SHEET OF