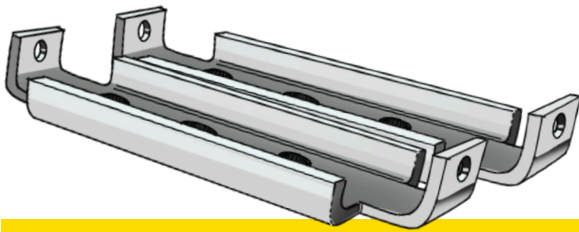
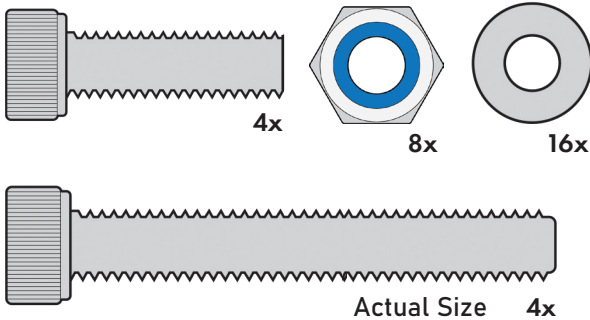


Universal Accessory Rails



INSTALLATION MANUAL

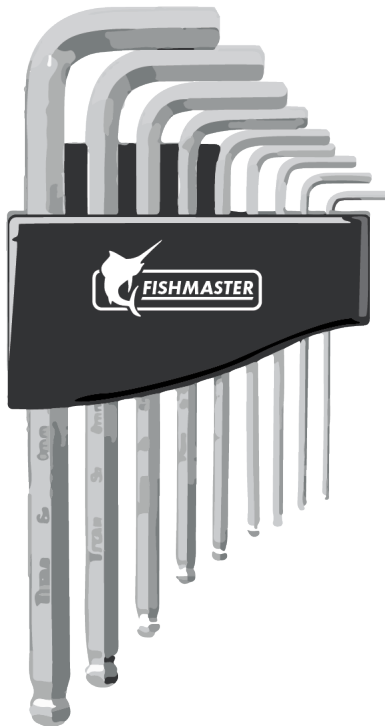
Included Hardware Identification



The Universal Accessory Rail can be used to mount your Electronics Box to the Fishmaster T-Top. Even though we use the universal rails for the electronics box, they can be used for additional accessories to add to your t-top.

Gather Additional Tools and Materials

Allen Wrench Set



Permanent Marker



Hand Drill



Loctite[®] 242 Blue



8mm Drill Bit



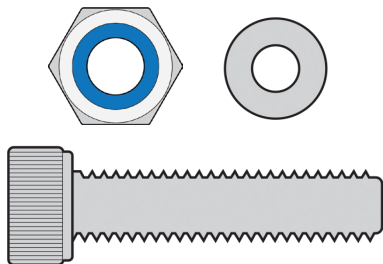
*Loctite[®] 242 Blue can be applied to any bolt during assembly to ensure a locking fit.



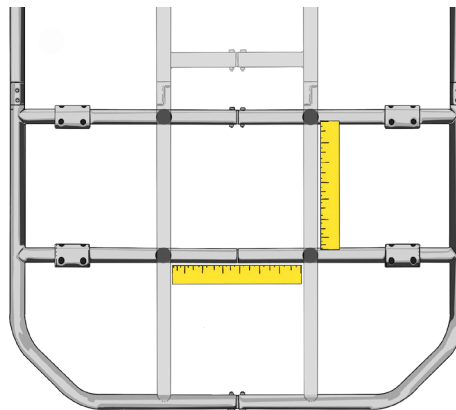
Do you have questions? Call us @ 877.777.8693 Monday – Friday, 8am-5pm EST

Step 1: Attach the Universal Accessory Rails to Chosen Accessory Item

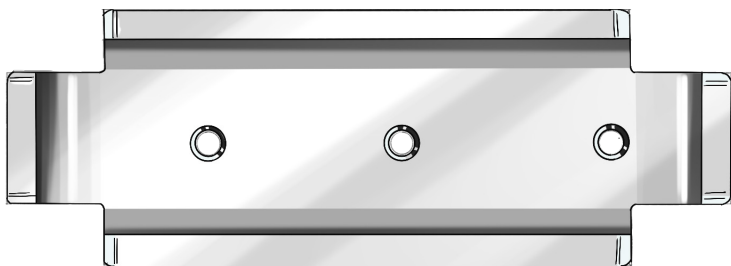
Hardware Needed:



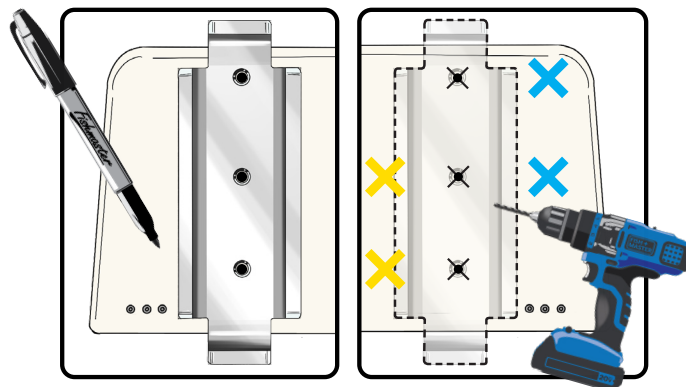
1. Measure the area you want to mount the accessory on and confirm there is enough uninhabited space.



2. Asymmetrical hole placement allows for multiple mounting locations. Other brands may require modification.

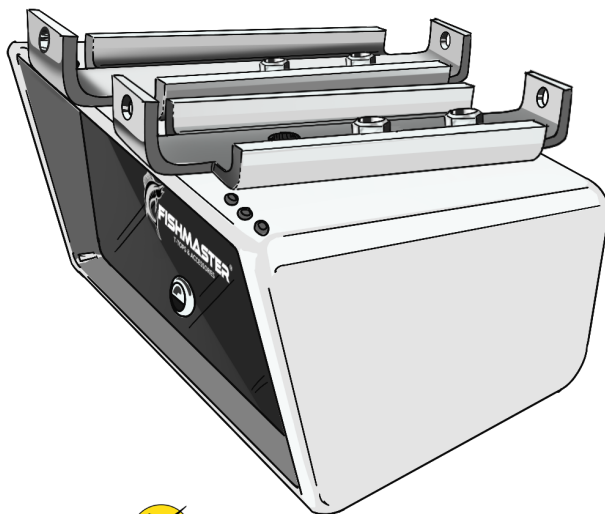
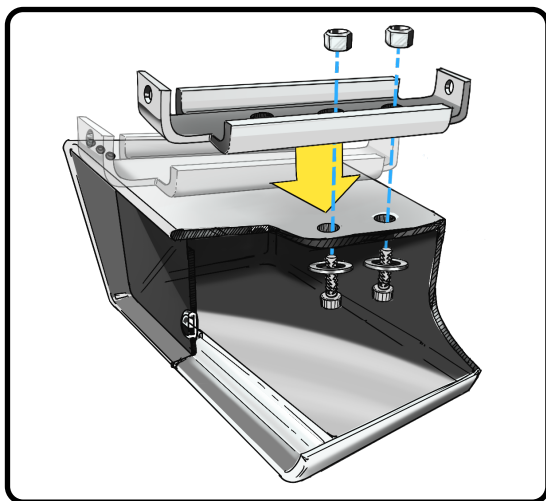


3. *Evenly space out the accessory rails. Mark and then DRILL IN REVERSE to create holes for the hardware. Only 2 holes per rail are required for mounting.



*Shown with Electronics Box

4. Bolt the accessory rails to the chosen accessory with the provided hardware. Remember to use Blue Loctite® on both the nut and bolt.



PRO TIP: When tightening down the hardware, do not over tighten as this will crack the gelcoat.

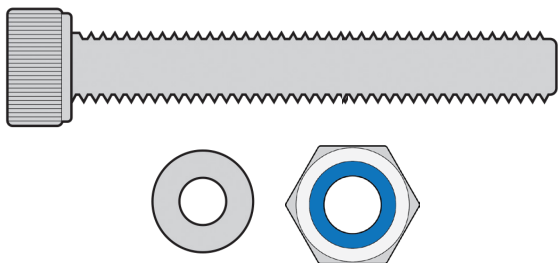


Do you have questions? Call us @ 877.777.8693 Monday – Friday, 8am–5pm EST

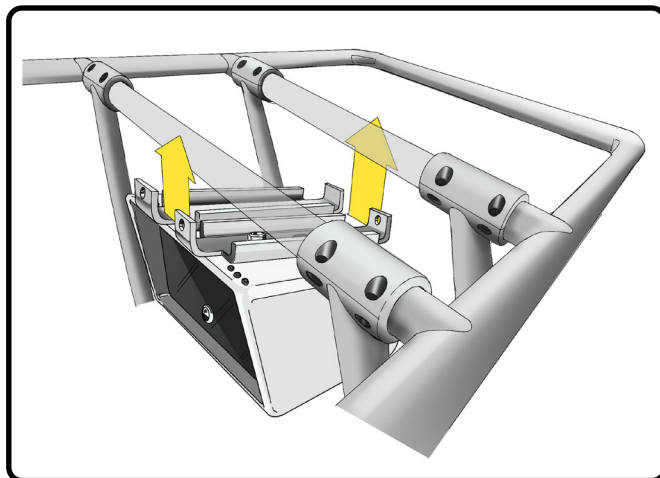
2

Step 2: Attach the Accessory Rails to Fishmaster T-Top Canopy

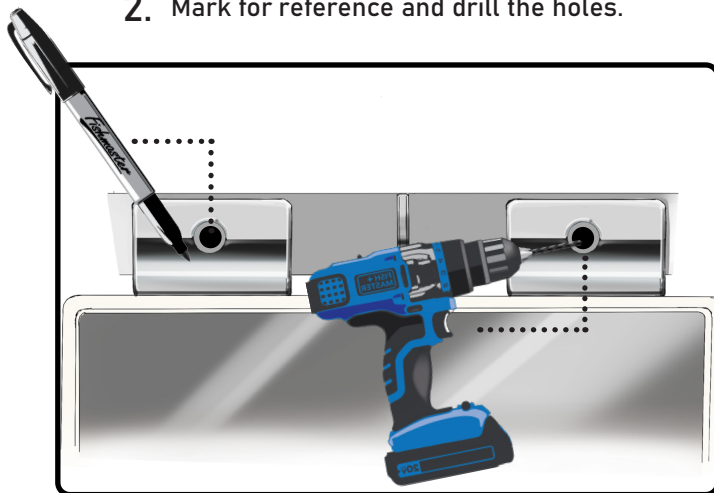
Hardware Needed:



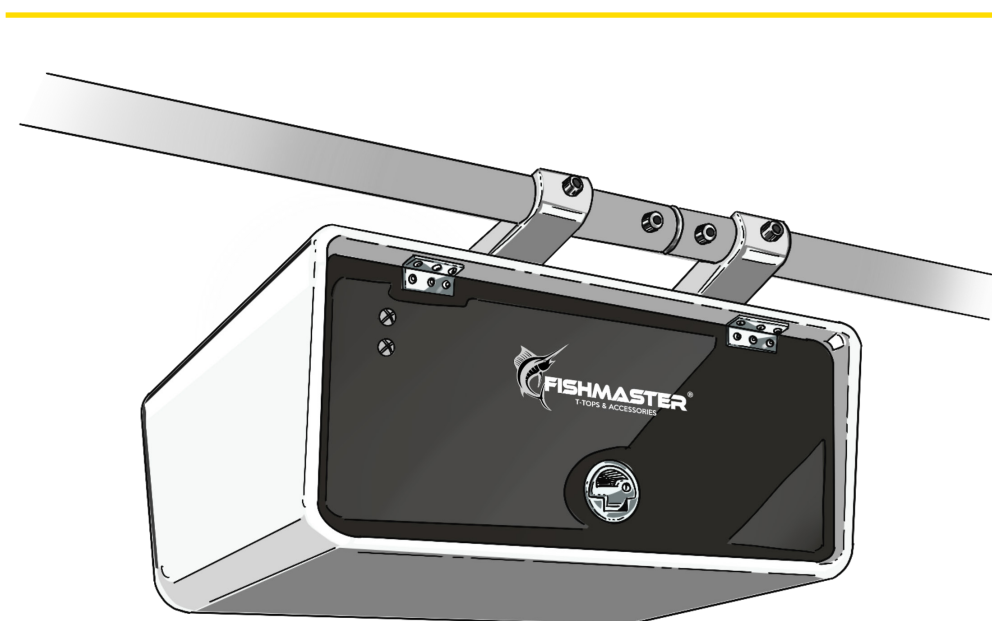
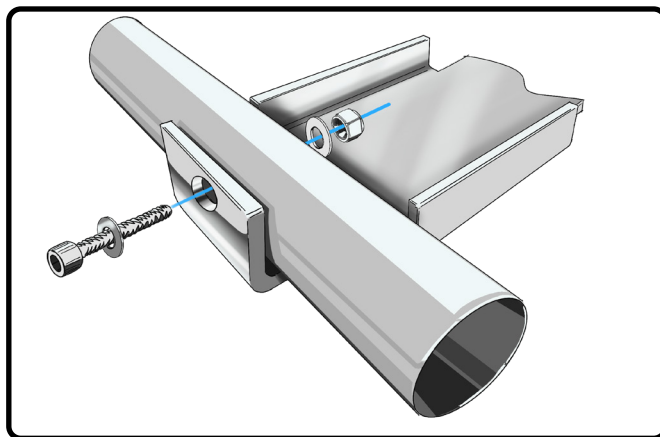
1. With help, position the accessory onto the t-top canopy rails.



2. Mark for reference and drill the holes.



3. After applying Blue Loctite®, assemble the hardware through each drilled hole.



Do you have questions? Call us @ 877.777.8693 Monday – Friday, 8am-5pm EST

3