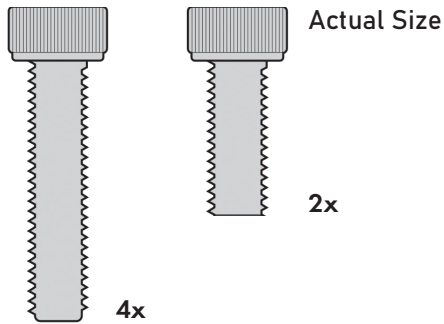


# Rod Holder

## INSTALLATION MANUAL

### Included Hardware Identification



The Fishmaster Rod Holder is a simple yet very useful accessory to have on your T-Top. The amount of adjustability that the Rod Holder offers means it can be mounted just about anywhere on the T-Top.

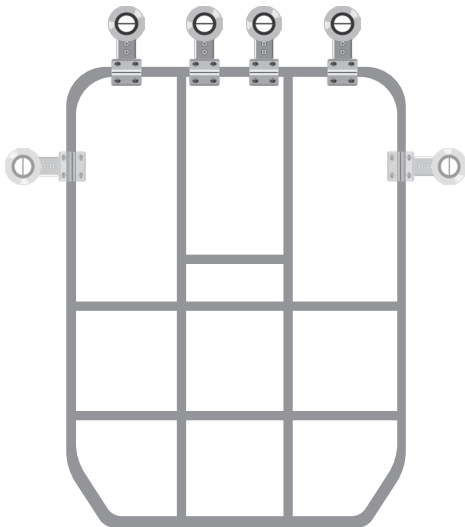
### Gather Additional Tools and Materials

Allen Wrench Set

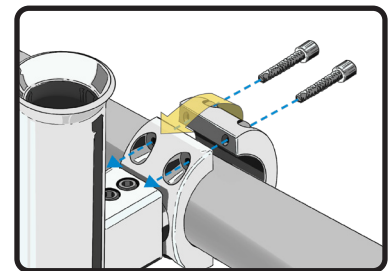
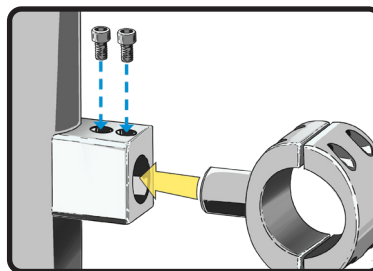
Red Loctite®

### Step 1: Installing the Rod Holder

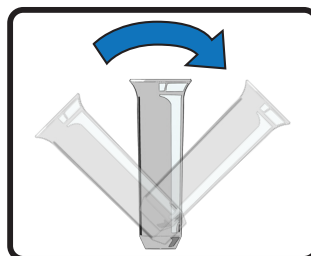
1. Determine where you will install the rod holders.
2. Insert post into the receiver and tighten the receiver bolts.
3. Install the rod holder to your desired location. Apply Red Loctite® for a firm hold. Tighten down all four clamp bolts.



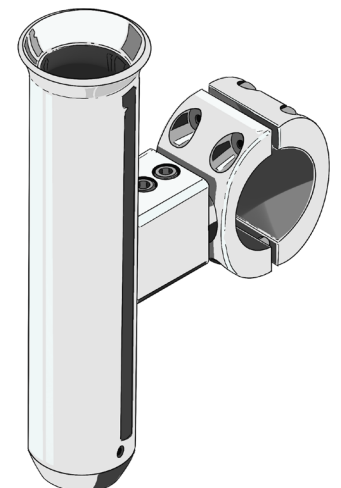
Bow



**PRO TIP:** Loosen the receiver bolts to adjust the tilt of the rod holder.



**PRO TIP:** Placing the rod holders, evenly spaced, in the aft of the t-top is a common mounting point.



Do you have questions? Call us @ 877.777.8693 Monday – Friday, 8am-5pm EST