

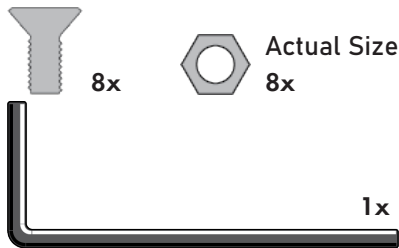


# Rod Grommets



## INSTALLATION MANUAL

### Included Hardware Identification



There are endless possibilities with Fishmaster's universal t-top accessories. This pair of Rod Grommets works with the console mounted rod holders to allow the rods to penetrate through the canvas.

### Gather Additional Tools and Materials

Permanent Marker



Utility Knife



Center Punch  
\*Optional



Drill Bit



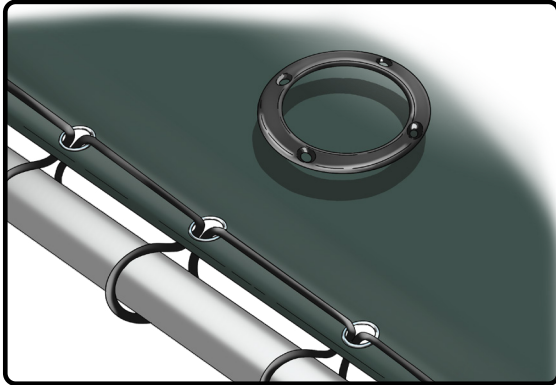
Hand Drill



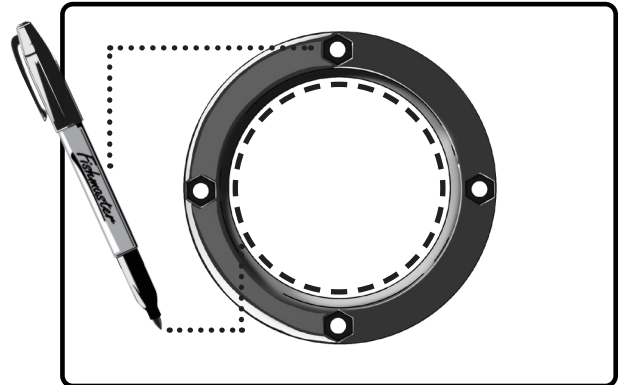
Do you have questions? Call us @ 877.777.8693 Monday - Friday, 8am-5pm EST

## Step 1: Determine Placement

1. Place ring on canvas where you would like rod tip to pass through.



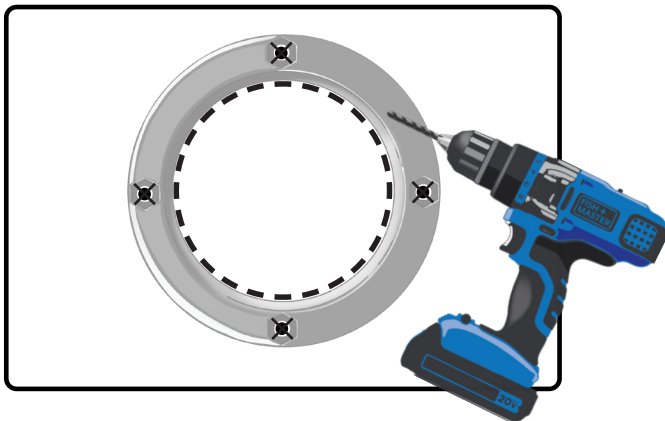
2. Mark each hole and inner circle.



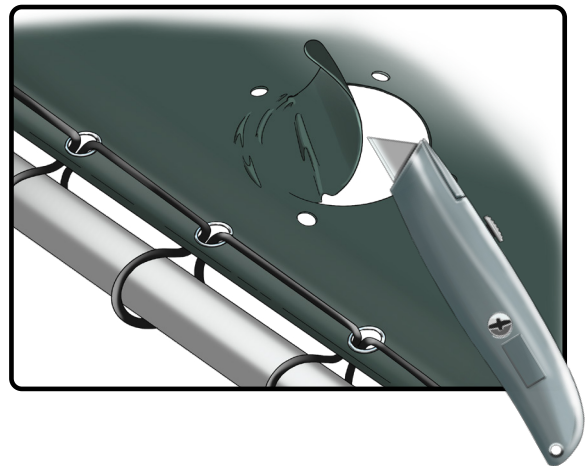
**PRO TIP:** Use one plastic seal to mark as many rod grommets that you are adding.

## Step 2: Poke and Cut Canvas

1. Use a drill with a smaller drill bit or other sharp item such as a center punch to puncture holes where the bolts will go.



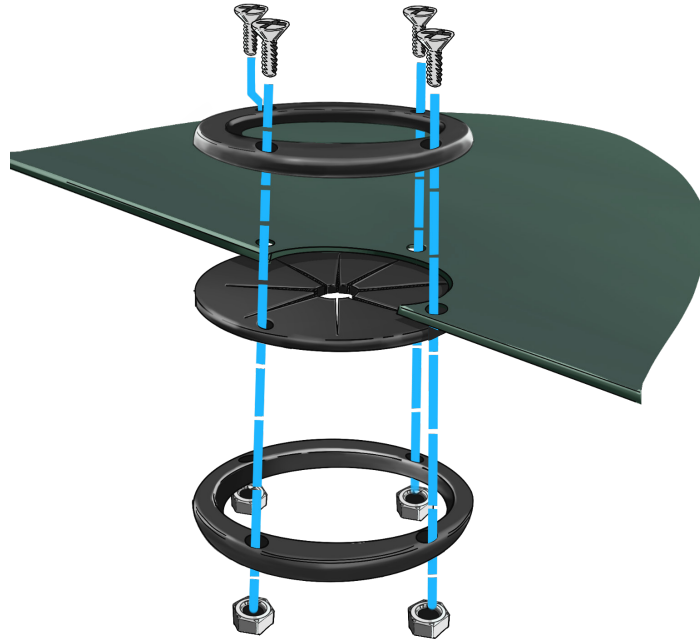
2. Use a utility knife to cut out the inner circle that was traced.



Do you have questions? Call us @ 877.777.8693 Monday – Friday, 8am-5pm EST

### Step 3: Attach Rubber Grommet and Seal

1. Place one seal on top of the canvas and the grommet and other seal on the underside. Attach with the bolts and hex nuts.



Do you have questions? Call us @ 877.777.8693 Monday – Friday, 8am-5pm EST