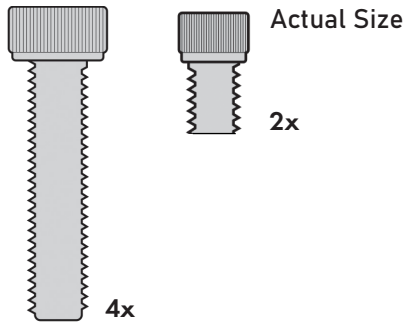


# Outrigger Holder

## INSTALLATION MANUAL

### Included Hardware Identification



No need to drill holes into your boat's gunnels with these outrigger holders! Simply affix the outrigger holders to your Fishmaster t-top at the desired angle, insert your own outriggers, and get trolling.

### Gather Additional Tools and Materials

Allen Wrench Set

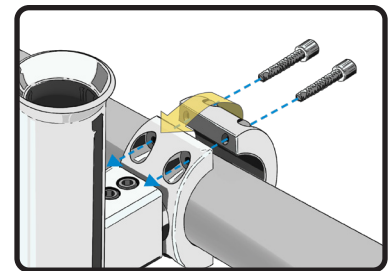
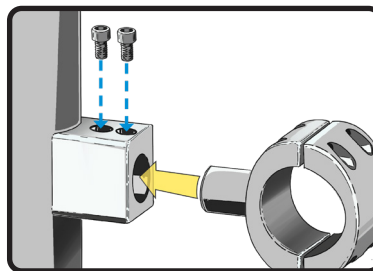
Red Loctite®

### Installing the Outriggers

1. Determine where you will install the outriggers.
2. Insert post into the receiver and tighten the receiver bolts.
3. Install the outrigger to your desired location. Apply Red Loctite® for a firm hold. Tighten down all four clamp bolts.



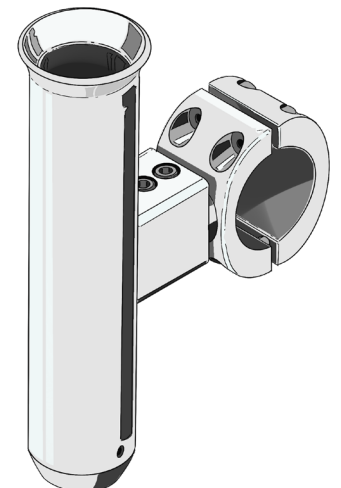
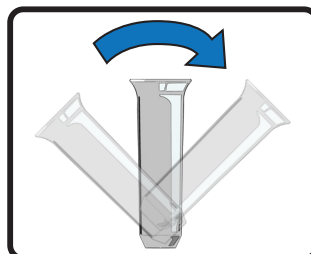
Bow



**PRO TIP:** Loosen the receiver bolts to adjust the tilt of the outrigger.



**PRO TIP:** Placing the outriggers evenly spaced on the side of the t-top is a common mounting point.



Do you have questions? Call us @ 877.777.8693 Monday – Friday, 8am-5pm EST