

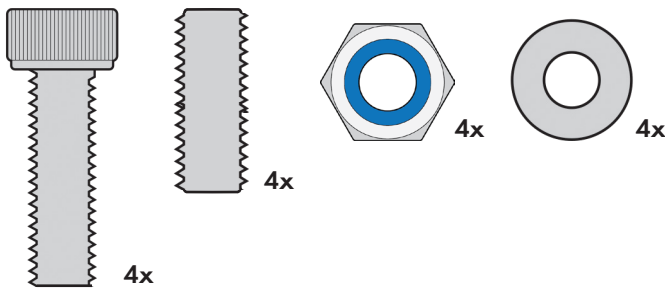


Leaning Rail for Casting Platform



INSTALLATION MANUAL

Included Hardware Identification

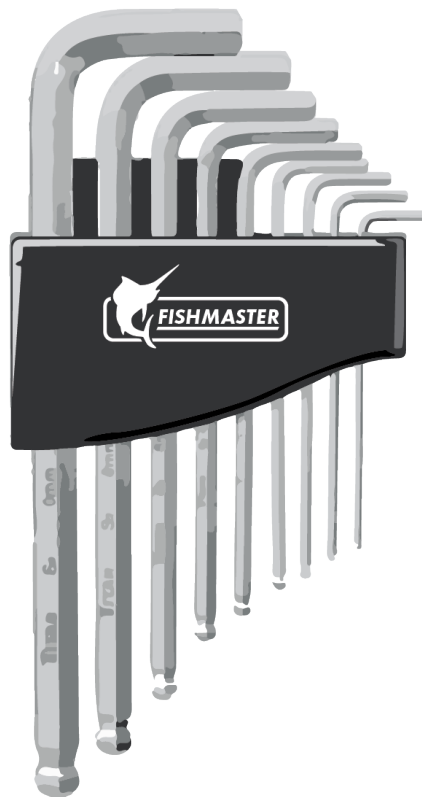


Actual Size

The leaning rail and casting platform make a great team by keeping your feet planted while providing a stable place to lean forward. The Fishmaster leaning rail is designed to firmly hold an array of fishing platform accessories that will help you catch your biggest fish yet.

Gather Additional Tools and Materials

Allen Wrench Set



Loctite® 242 Blue



*Loctite® 242 Blue can be applied to any bolt during assembly to ensure a locking fit.



Do you have questions? Call us @ 877.777.8693 Monday – Friday, 8am-5pm EST

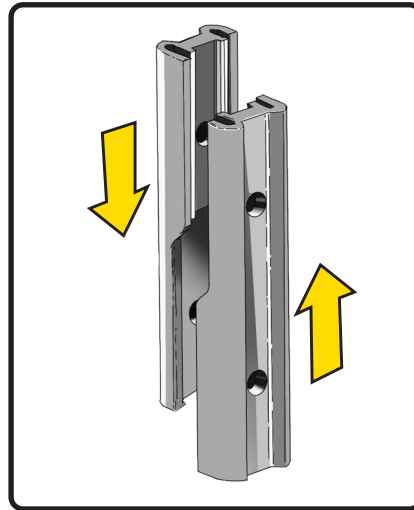
1

Step 1: Assemble Tubing Connector

1. Gather the tube connector pieces.

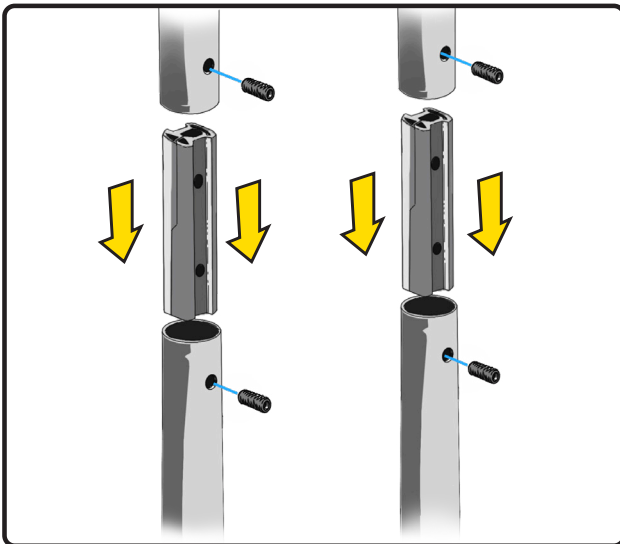


2. Slide the parts together.

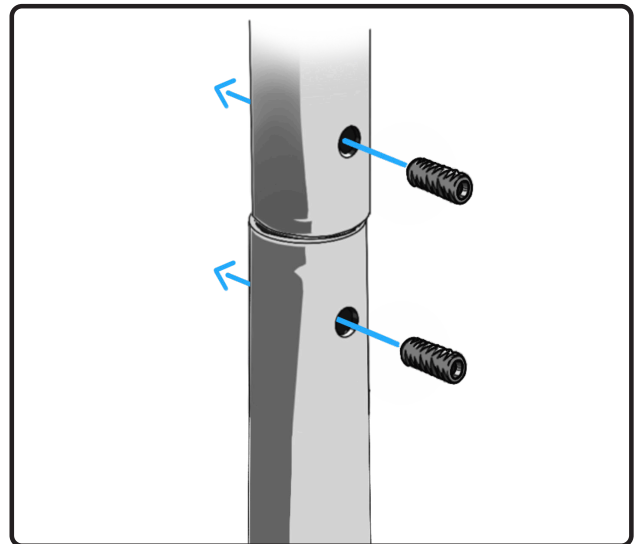


Step 2: Insert Connectors Into Legs

1. Insert the tube connector into the legs and then slide the leaning rail over the connector.



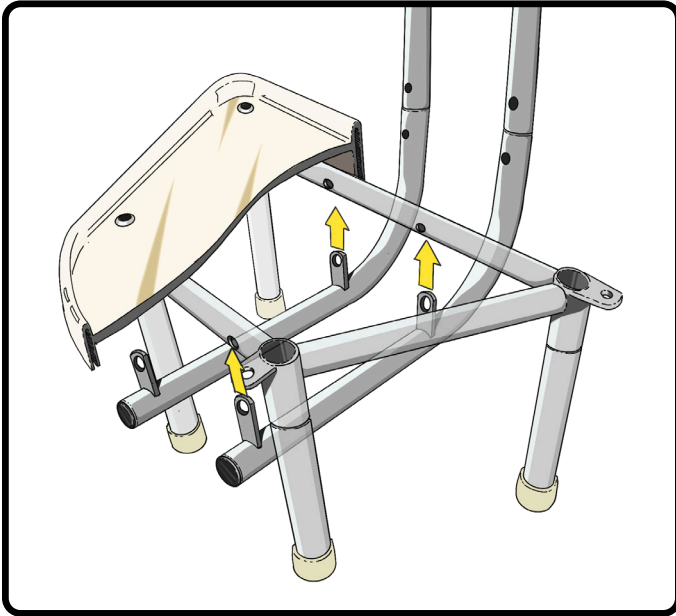
2. Thread screws into the holes of the legs.



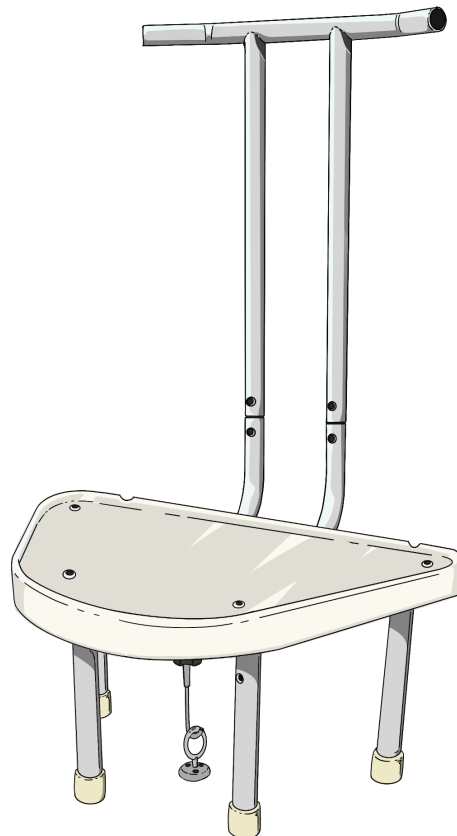
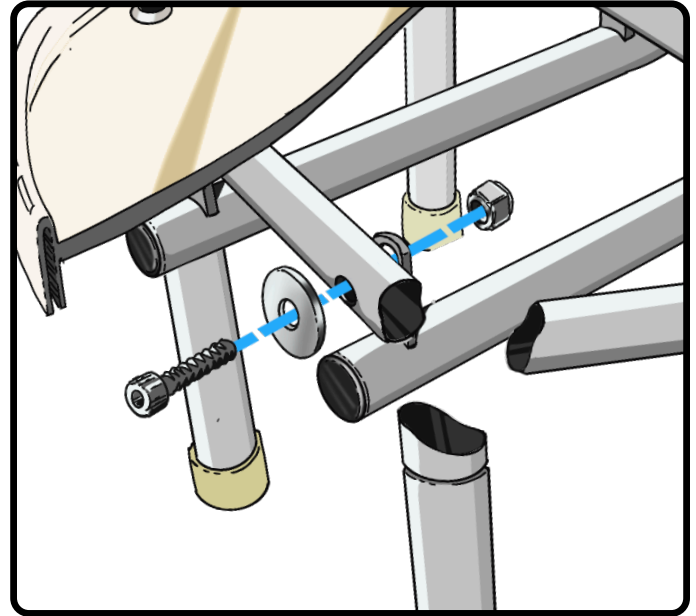
Do you have questions? Call us @ 877.777.8693 Monday – Friday, 8am-5pm EST

Step 3: Attach Leaning Rail to Casting Platform

1. Position the leaning rail mounting tabs on the backside of the pre-drilled holes.



2. Using the M10 socket screws and hardware, attach the leaning rail to the casting platform base.



Do you have questions? Call us @ 877.777.8693 Monday – Friday, 8am-5pm EST