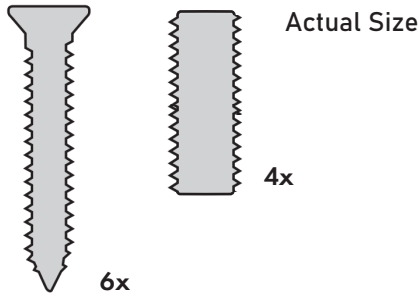


Grab Bar

INSTALLATION MANUAL

Included Hardware Identification



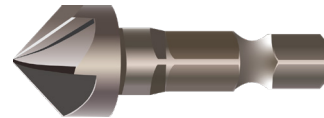
Never let go with our Fishmaster grab bar. Attaches to the deck with stainless steel hardware, this boat grab bar will be there for those who need a little stability. Easy removal for simple storage.

Gather Additional Tools and Materials

Permanent Marker



45° Chamfer Drill Bit

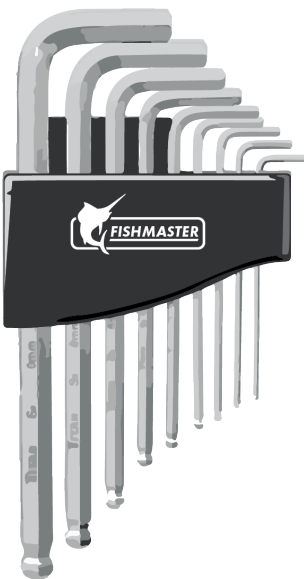


Allen Wrench Set

1/64" Drill Bit

3M™ 5200

Hand Drill



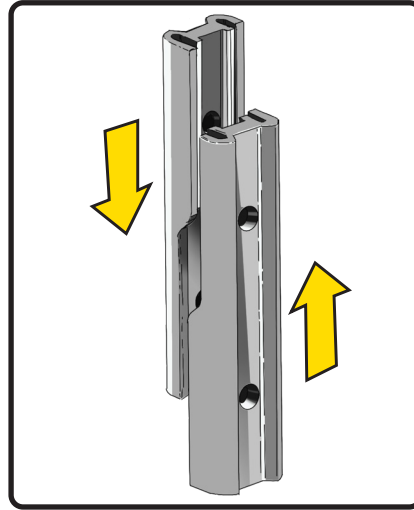
? Do you have questions? Call us @ 877.777.8693 Monday – Friday, 8am-5pm EST

Step 1: Assemble Tubing Connector

1. Gather the tube connector pieces.

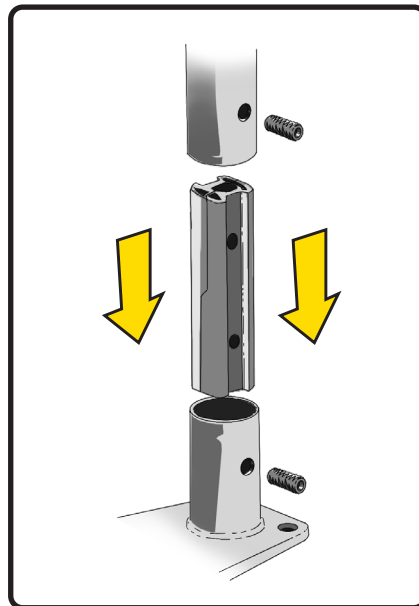


2. Slide the parts together.

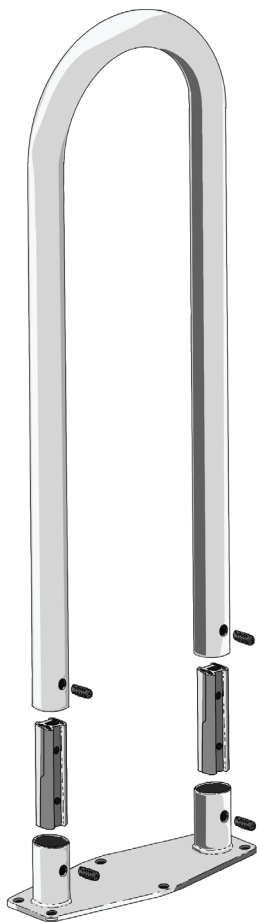
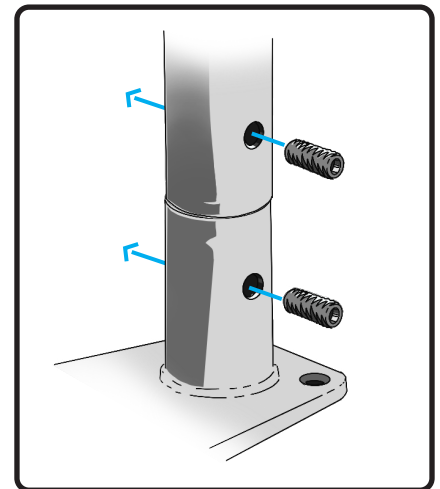


Step 2: Assemble Bar to Base

1. Insert the tube connector into the base.



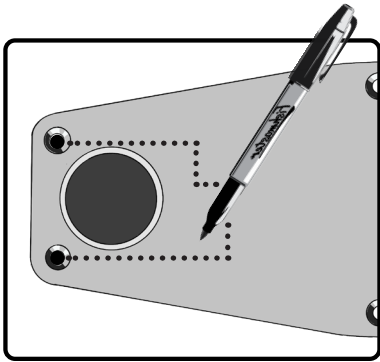
2. Thread screws into the holes of the grab bar and base.



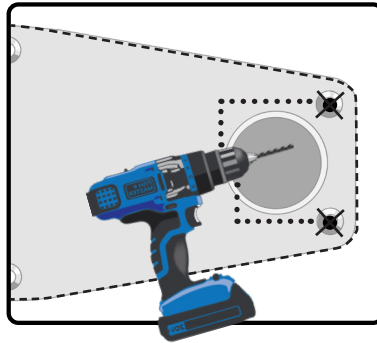
Do you have questions? Call us @ 877.777.8693 Monday – Friday, 8am-5pm EST

Step 3: Mount Grab Rail to Boat

1. Use permanent marker to mark all six drill locations.



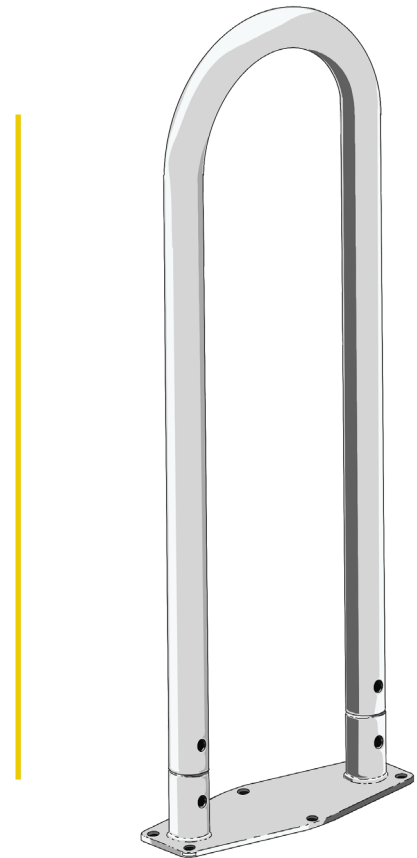
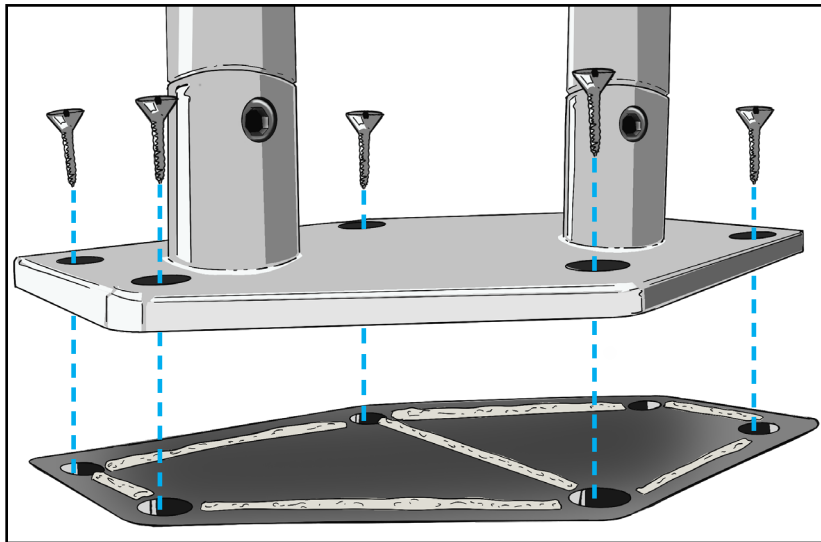
2. Drill in reverse with 11/64" bit. Drill all six holes.



PRO TIP: Use a 45° chamfer bit after drilling the first holes to counter sink the holes.



3. Apply 3M[™] 5200 Adhesive to base and holes and then mount the base to the boat screwing into place.



Do you have questions? Call us @ 877.777.8693 Monday – Friday, 8am-5pm EST