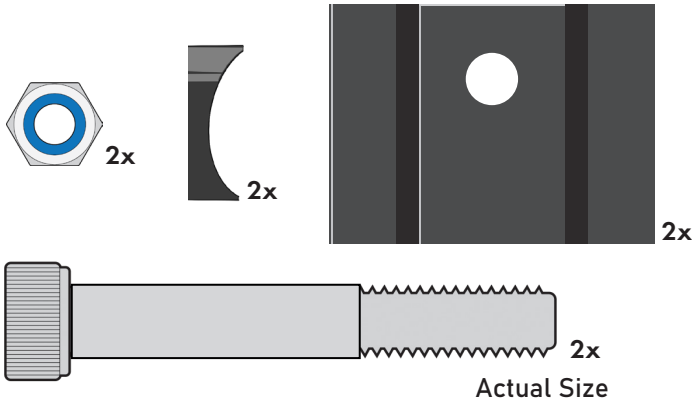


# LED Light Bar



## INSTALLATION MANUAL

### Included Hardware Identification



With 10800 lumens, the Fishmaster marine light bar features a combination of spot and flood lighting. This dual lighting capability creates a bright and broad beam of light. Easily mounts to the Fishmaster T-Top.

### Gather Additional Tools and Materials

Lightweight String

Electrical Tape

Wire Loom

Electrical Wire

Socket Wrench

Shop Vacuum

Quick Connectors/Disconnectors

Hand Drill



Permanent Marker



5/16" Drill Bit



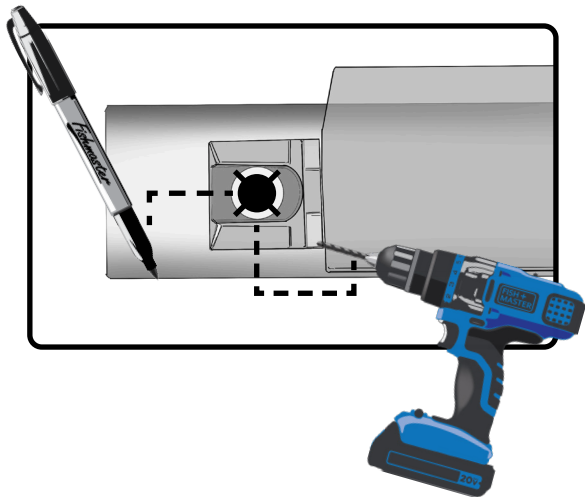
**WARNING:** To prevent personal injury, disconnect power when installing or servicing electrical product.



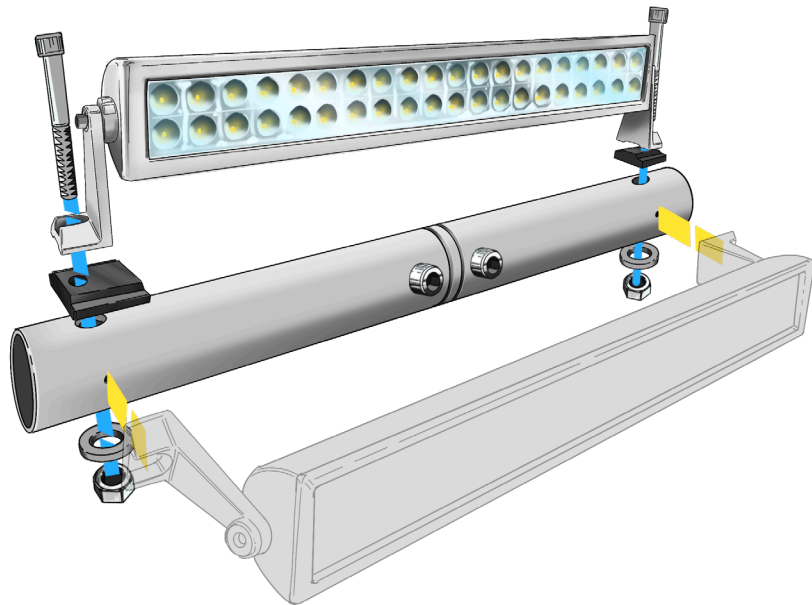
Do you have questions? Call us @ 877.777.8693 Monday – Friday, 8am–5pm EST

## Step 1: Drill Holes in T-Top For Accessory

- Using a permanent marker and 5/16" drill bit, mark your desired mounting location and drill the holes on both sides.
- 1.

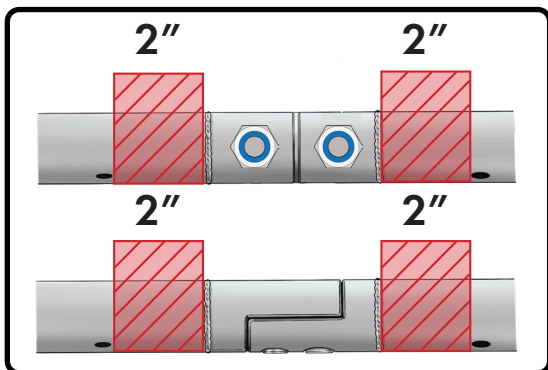


2. The LED Light Bar body is able to pivot allowing it to be mounted in different positions.

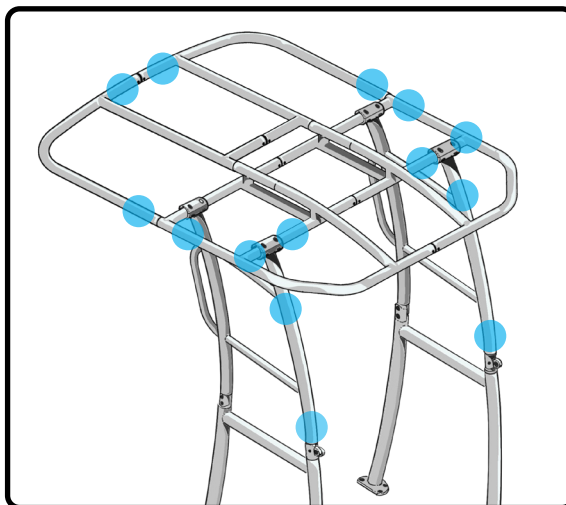


## Step 2: Drill Holes For Wires

1. Before drilling into your t-top, measure 2" away from any weld seams.



2. It is common to drill and run your wire through these highlighted spots. Make sure to run the wire ONLY on either the right or left side.

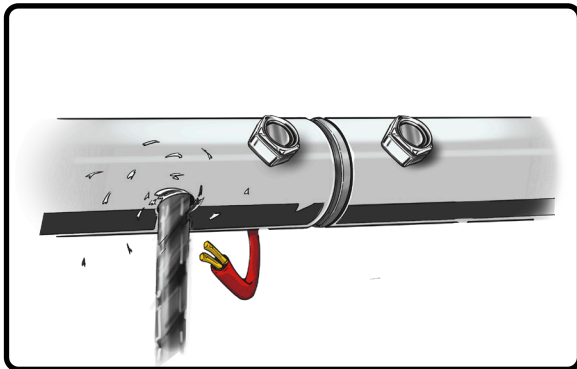


Do you have questions? Call us @ 877.777.8693 Monday - Friday, 8am-5pm EST

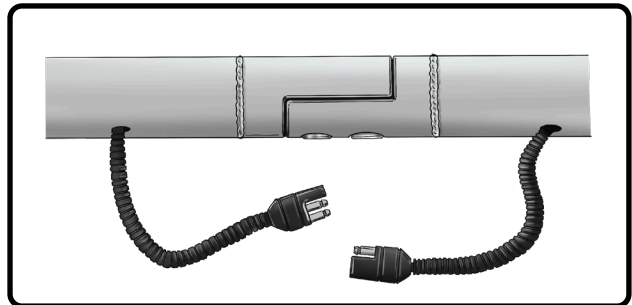
2

## Step 2: Drill Holes For Wires (continued)

3. After selecting and drilling the holes, insert your wire and pull it through the frame. The maximum drilled hole size should be no more than 1/2". Check out our video online for more wiring tips.

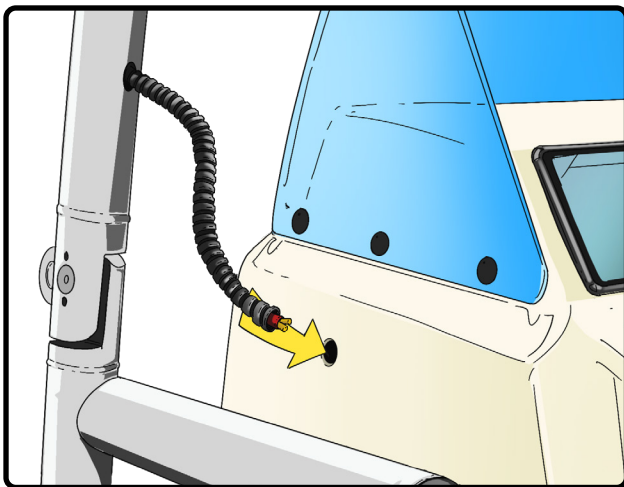


4. When you come to a hinge, it is recommended to add a quick disconnect to the wire or give enough slack to allow the t-top to fold.

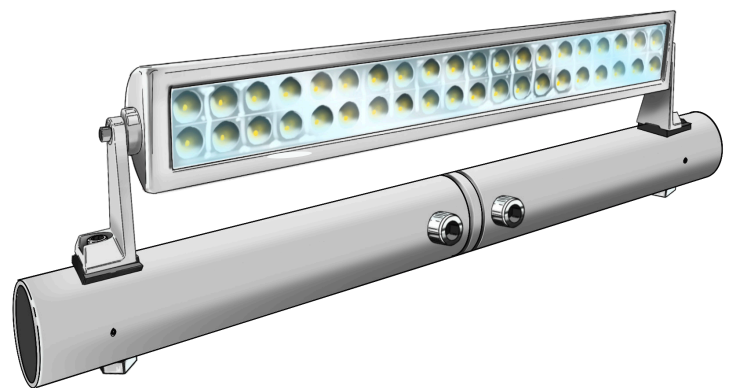


**PRO TIP:** When running your wire through, it is easiest to use lightweight string attached to the wire and a shop vacuum to suction the string through the drilled holes, then pulling the wire through.

5. Run the wire through the frame and drilled holes until you come to the desired location such as the console or electronics box.



**PRO TIP:** We recommend covering the exposed wire with wire loom for a professional appearance.



Do you have questions? Call us @ 877.777.8693 Monday – Friday, 8am–5pm EST

3