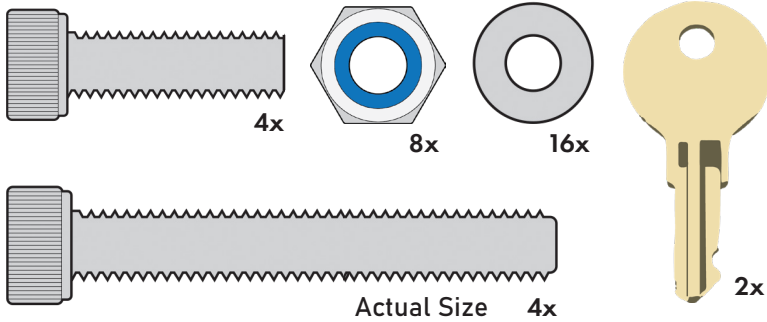


Electronics Box with Mounting Brackets

INSTALLATION MANUAL

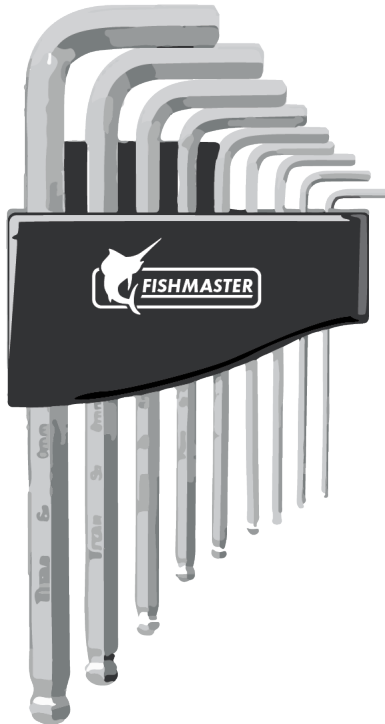
Included Hardware Identification



Keep your VHF radio, navigation equipment, or fish finder gear secure and dry in our lockable boat electronics box! With a plexiglass door panel not only will it protect but it also keeps contents out of direct contact with water.

Gather Additional Tools and Materials

Allen Wrench Set



Permanent Marker



Hand Drill



Loctite® 242 Blue



8mm Drill Bit



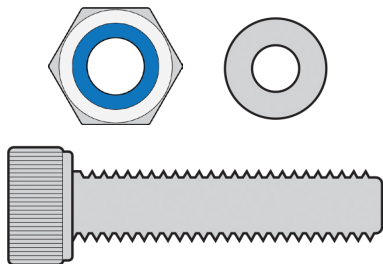
*Blue 242 Loctite® can be applied to any bolt during assembly to ensure a locking fit.



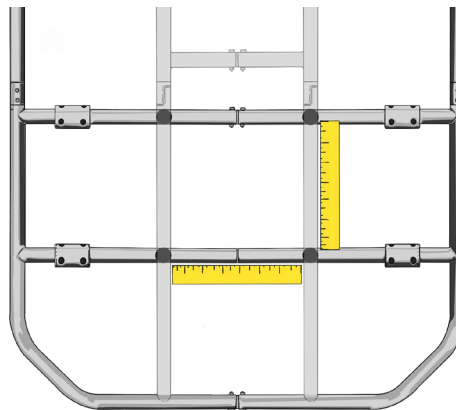
Do you have questions? Call us @ 877.777.8693 Monday – Friday, 8am-5pm EST

Step 1: Attach the Mounting Brackets for Fishmaster T-Tops

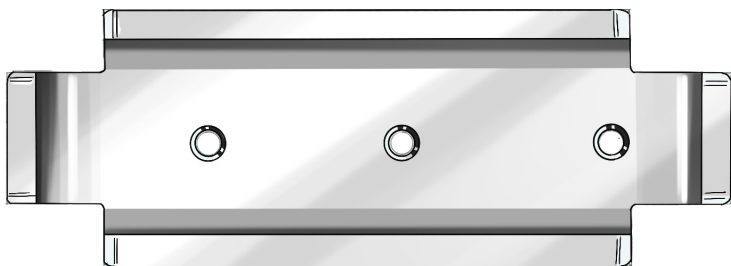
Hardware Needed:



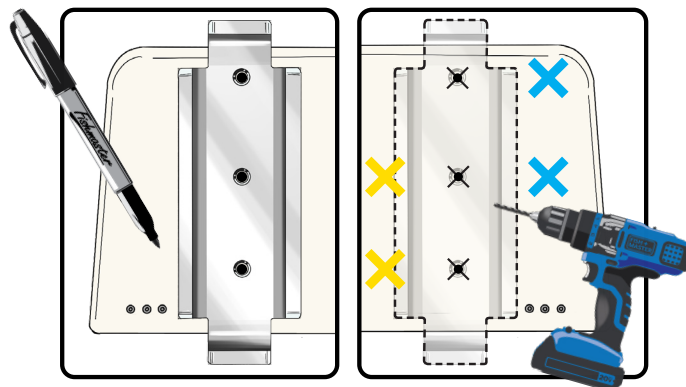
1. Measure the area you want to mount the E-Box on and confirm there is enough uninhabited space.



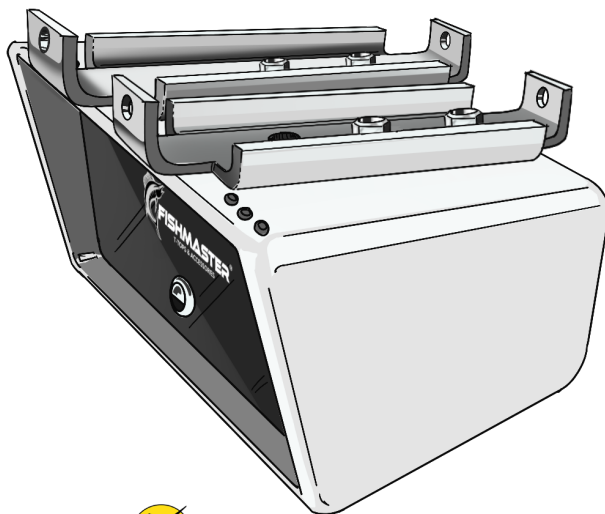
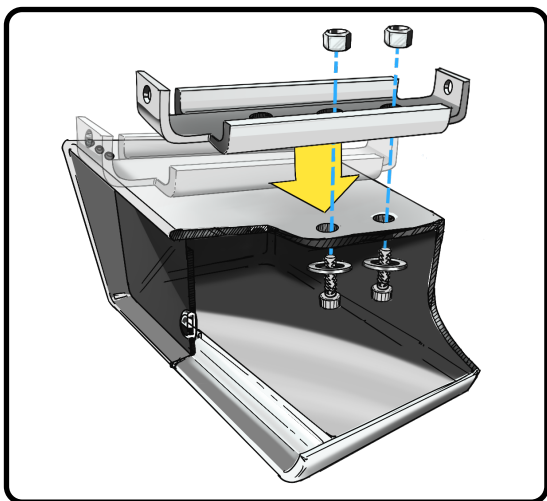
2. Asymmetrical hole placement allows the box to be mounted further back or forward. Other brands may require modification.



3. Evenly space out the brackets. Mark and then DRILL IN REVERSE to create holes for the hardware. Only 2 holes per bracket are required for mounting.



4. Bolt the brackets to the box with the provided hardware. Remember to use Blue Loctite® on both the nut and bolt.



PRO TIP: When tightening down the hardware, do not over tighten as this will crack the gelcoat.

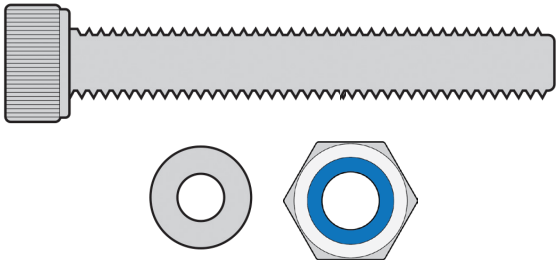


Do you have questions? Call us @ 877.777.8693 Monday – Friday, 8am–5pm EST

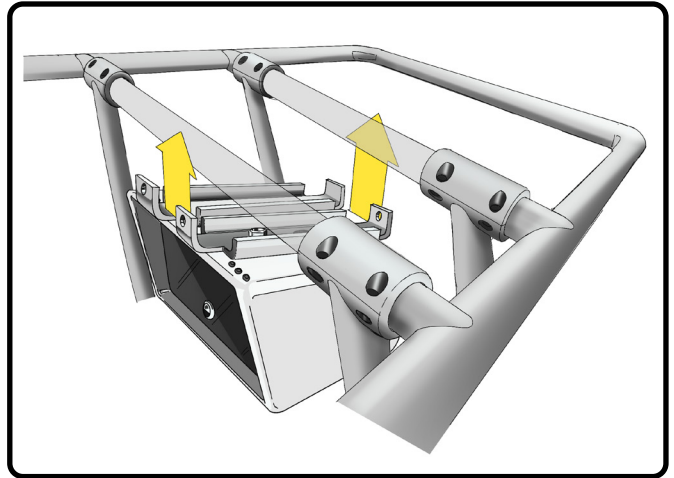
2

Step 2: Attach the Mounting Brackets to Fishmaster T-Top Canopy

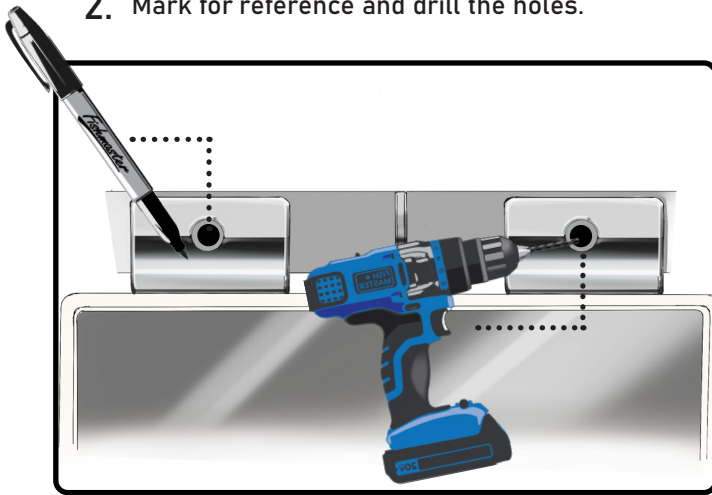
Hardware Needed:



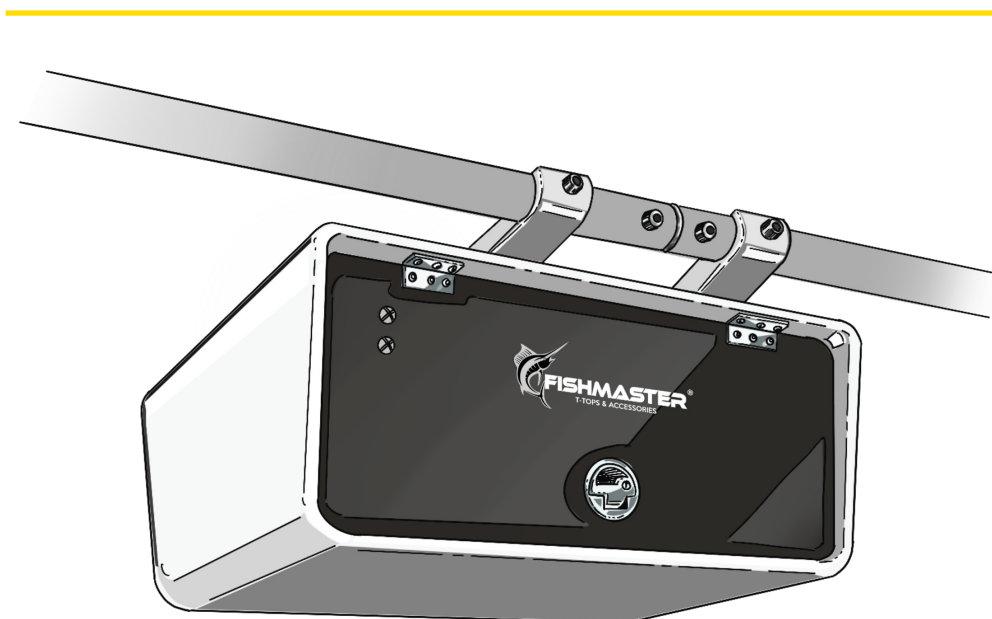
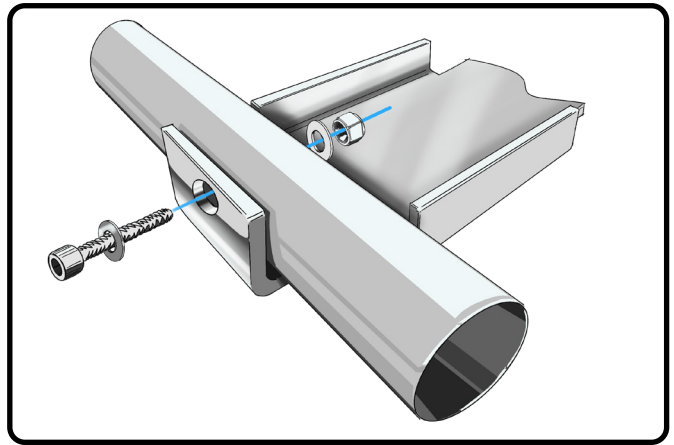
1. With help, position the box onto the t-top canopy rails.



2. Mark for reference and drill the holes.



3. After applying Blue Loctite®, assemble the hardware through each drilled hole.



Do you have questions? Call us @ 877.777.8693 Monday – Friday, 8am-5pm EST