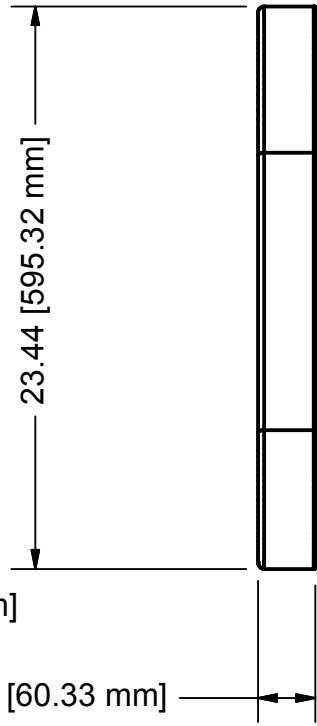
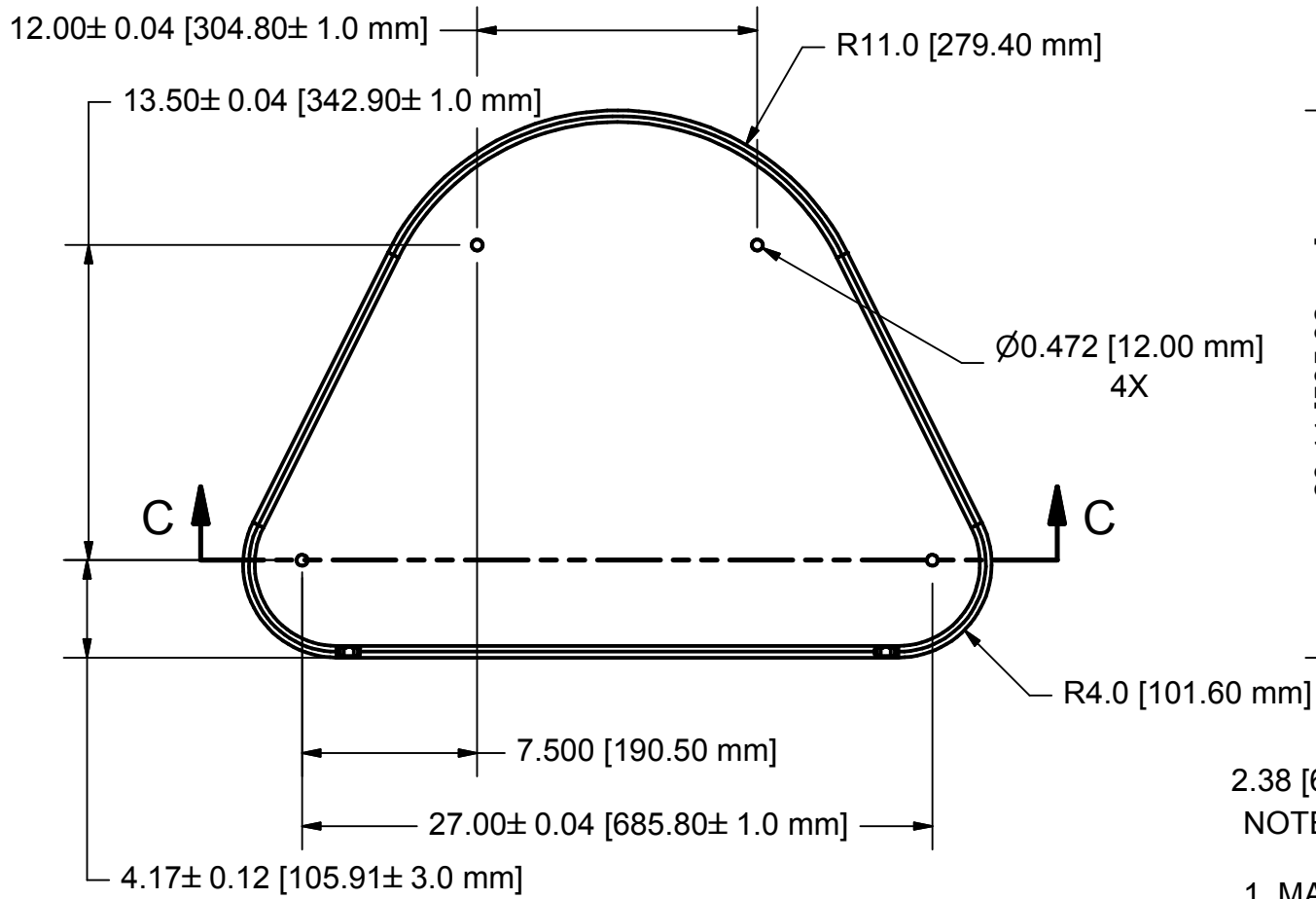


2

1



NOTES

- 1. MATERIAL: FIBERGLASS
- 2. FINISH: UV RESISTANT WHITE
- 3. PACKAGING: POLY BAG

B

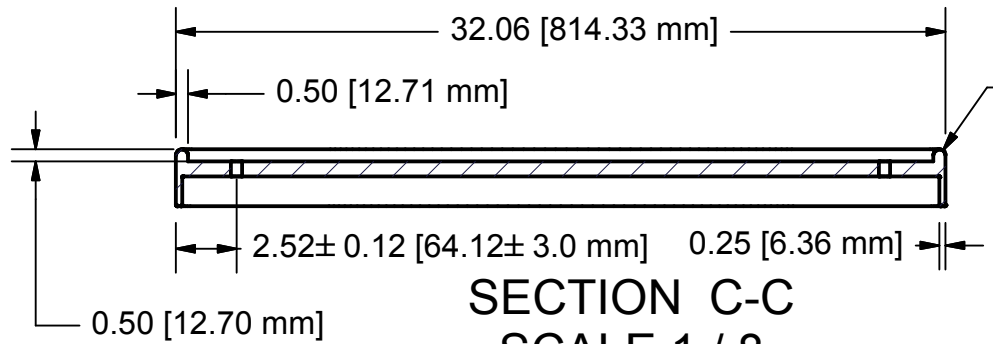
B

V

V

A

A



**SECTION C-C**  
**SCALE 1 / 8**

The information contained in this drawing is the sole property of Fishmaster, Inc.  
Reproduction without written permission of Fishmaster, Inc. is strictly prohibited.

<b>Fishmaster, Inc</b>	
phone 678-679-1462 - <a href="http://www.Fishmaster.com">www.Fishmaster.com</a>	
DWG TITLE	
<b>BOW PLATFORM</b>	
DWG FILE	
BOW PLATFORM.idw	
DATE	5/4/2009
REV	P2

2

1

